

Brackets | Bands | Tubes

Precision engineered and manufactured by G&H® in the U.S.A.



ORTHODONTICS®
Quality Manufacturing. Exceptional Service.

Seeing to every detail
to ensure your success



**Precision engineering.
Quality U.S. manufacturing.**

At G&H, we are keenly aware of the strict expectations clinicians have for the products we manufacture. For that reason, we employ precision engineering techniques for our brackets, bands and tubes. Whether it's the Vapor™ bracket shown here, or the other products featured in this brochure, you can be assured you're using systems that were manufactured with state-of-the-art processes using superior design.



Quality management system -
ISO 13485:2003 & EN ISO 13485:2012

The G&H[®] Difference – Brackets

Orthodontists have trusted G&H for over 40 years of precision U.S. manufacturing.

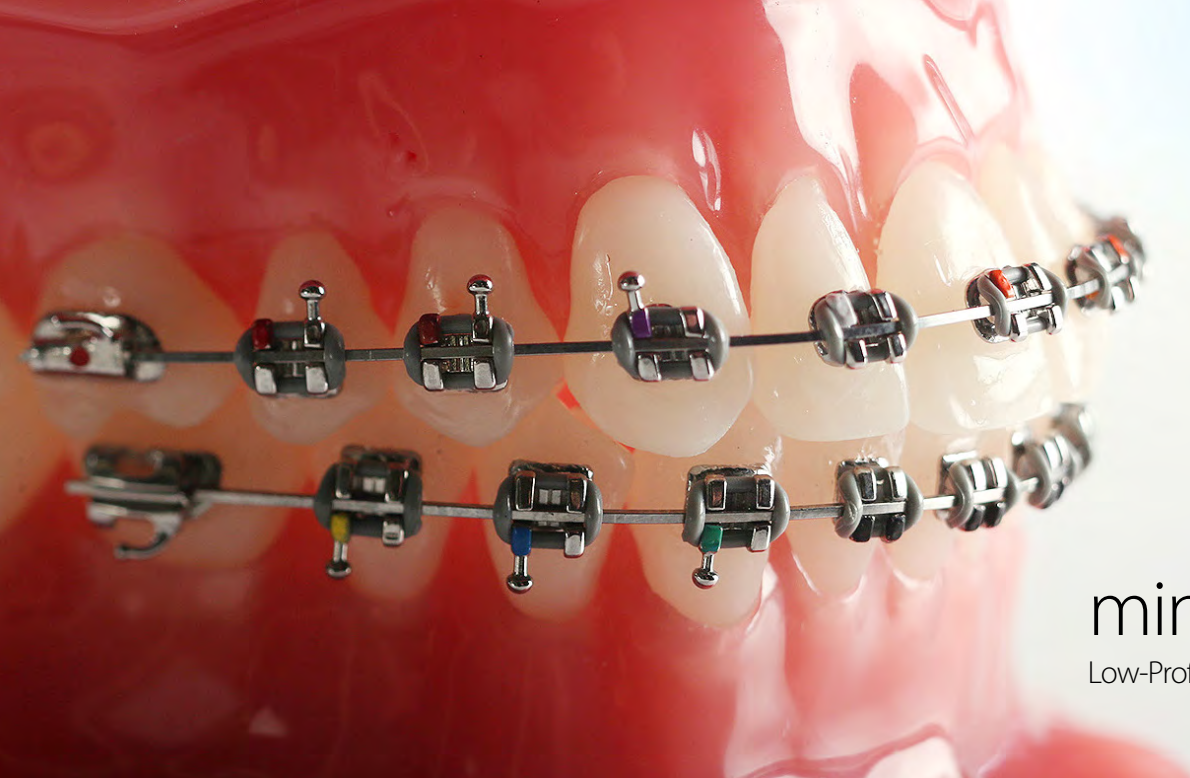


G&H offers a full, synchronized orthodontic system

Brackets, tubes, bands, archwires and elastomerics made in the U.S.A. as well as a full line of consumables, adhesives and instruments.

Bracket Features	miniPrevail [®]	Vapor [™]
State-of-the-art engineering and the highest-quality materials	✓	✓
Mini twin design for comfort and control	✓	✓
Distinctive compound contoured mesh bonding base for anatomical fit	✓	
Revolutionary bonding base - adhesive flows through the portals for unprecedented secure bonding and safe debonding		✓
MIM* CIM* manufactured for bracket strength	✓	✓
Parallel tie wings / Rhomboidal shape	✓	✓
No special debonding instrument required	✓	✓
Excellent value - manufacturer pricing	✓	✓
Available in popular bracket prescriptions	✓	✓
Roth	✓	✓
High Torque	✓	✓
MBT	✓	✓
Edgewise	✓	✓
Nearly invisible, aesthetic appearance		✓
Temporary color-coded ID system with permanent identification indents for ease of use	✓	✓
Full rotational control	✓	✓
Low profile and rounded facial contours for patient comfort	✓	✓

*MIM - Metal Injection Molding, CIM - Ceramic Injection Molding



miniPrevail®
Low-Profile Bracket System

Our most preferred metal and ceramic brackets



Vapor™
Ceramic Bracket System

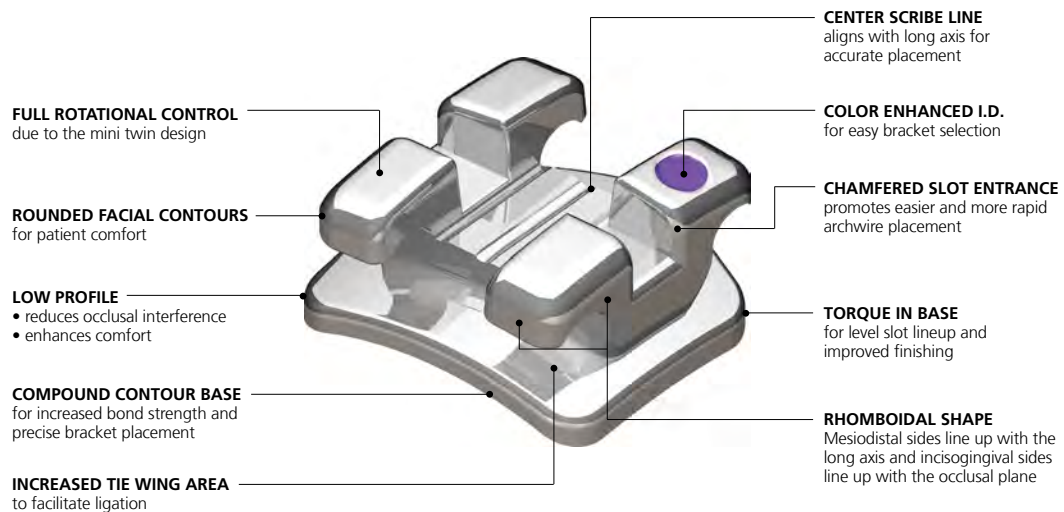
Brackets

"miniPrevail brackets are high-quality twin brackets. The base and scribe lines make for easy bracket placement. The tie wings allow for easy tie-ins with multiple ligatures if needed, but are strong and comfortable for the patient."

– Graham Jones, D.D.S., M.S.D.

miniPrevail® Low-Profile Bracket System Metal Injection Molded Surgical-Grade Stainless Steel (MIM)

miniPrevail brackets are constructed of a specialized micro-grain stainless steel MIM powder, ideal for creating small, robust appliances that are inherently stronger and more dimensionally accurate than other similar brackets.




Available in .018 or .022 slot size – Roth or MBT* prescription
Sold individually or in kits – Also available in Roth V-Slot*



**80 GAUGE MESH
ANATOMICAL BONDING BASE**
for secure bonds





“ I love how you can hardly tell I’m wearing braces! I feel more confident to smile, plus they’re comfortable.”

Brackets

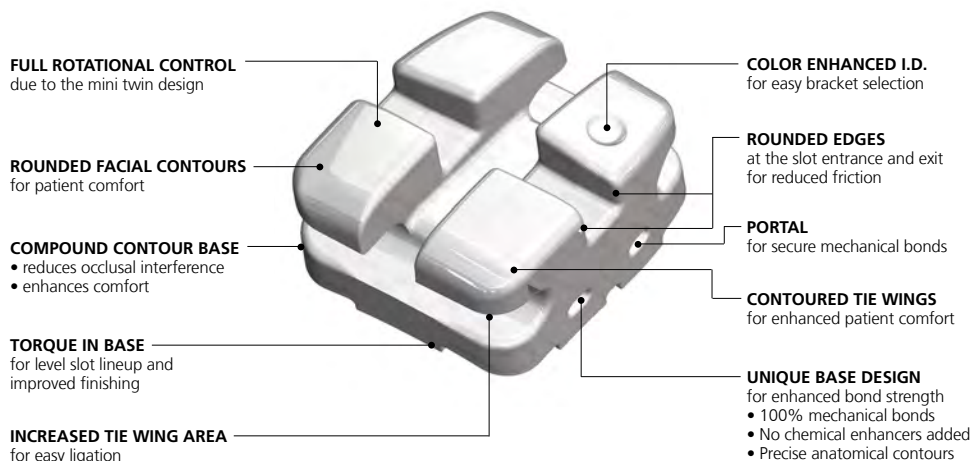
Vapor™ Ceramic Bracket System Ceramic Injection Molded Polycrystalline (CIM)

Vapor's brilliant translucency presents a totally aesthetic appearance throughout treatment. The smooth, contoured tie wings provide patient comfort and mechanical functionality. The unique bonding base design ensures superior performance and easy, conventional debonding. The unique "portals" in the base allow adhesive to circulate through the base, creating a secure mechanical bond.



"The Vapor system provides all the characteristics one would look for in a high-quality ceramic bracket: aesthetics, ease-of-bonding, smoothness and strength. Thanks to the unique portals in the base, mechanical bond strength is enhanced yet the bracket is easy to debond. It is made in the U.S.A. and is cost-effective. I can't think of anything else one could possibly ask for."

– Howard Fine, D.M.D., M.M.S.c



Available in .018 or .022 slot size – Roth® or MBT® prescription

Sold individually or in kits



Adhesive enters through 4 openings on the base and flows through integrated portal.



Excess flow-through adhesive is removed prior to curing.

Adhesive polymerizes in the portals during curing for unprecedented secure mechanical bonds.



Feature Unique to the Industry:

Revolutionary Bonding Base

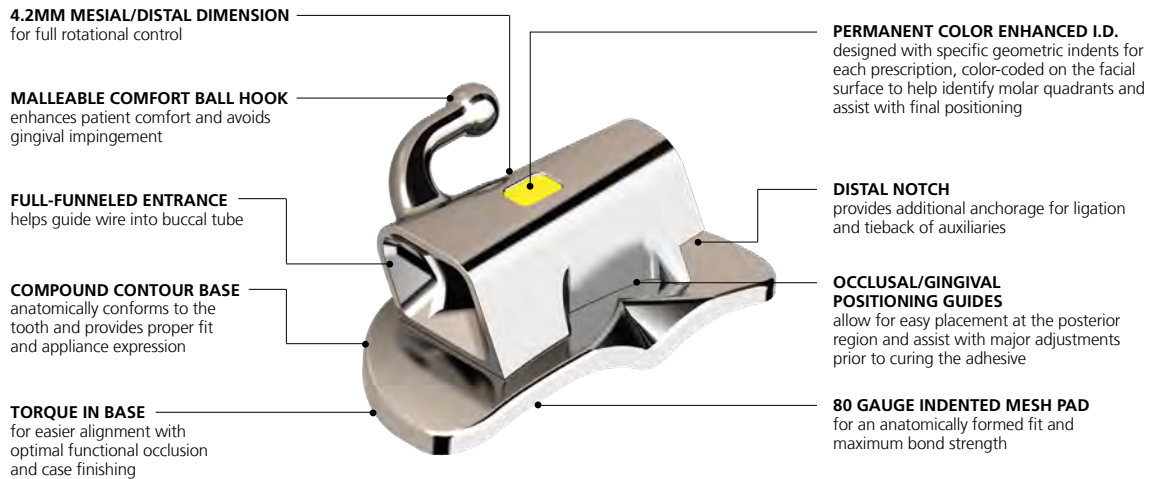
Adhesive flows through the portals for unprecedented, secure, mechanical bonding. No special or specific adhesive necessary.

Buccal Tubes



Viper™ Low-Profile Buccal Tubes Metal Injection-Molded Surgical-Grade Stainless Steel (MIM)

Because buccal tubes are such a critical element in treating malocclusions, G&H has meticulously engineered a full complement of weldable and bondable, convertible and non-convertible tubes.



Available in .018 or .022 slot size – Standard*, Roth* or MBT* prescription
Bondable or weldable base options

Sleek and Stylish

G&H's Viper™ buccal tube incorporates the latest design technology for a comfortable, easy-to-use appliance. The Viper™ tube eliminates the frustration and wasted time of threading a wire into the small opening of traditional buccal tubes. The "trumpeted" entrance of the Viper™ tube facilitates easy wire insertion. Wires are guided easily and gently into the expansive entrance, simplifying archwire adjustments, saving valuable chair time.



Bands

Saturn™ | Titan™ Molar & Bicuspid Bands Surgical-Grade Stainless Steel

Whether you are upgrading your current band systems or are just starting out, G&H has a band system to meet your specifications. Manufactured under stringent quality control measures, the precision anatomical shape of our bands provides a tight, secure fit you can count on.



Providing a secure fit you can count on!

FESTOONED EDGES

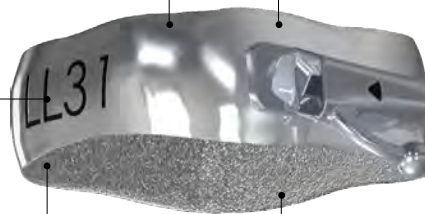
no sharp edges for maximum patient comfort

PERMANENTLY ETCHED

using an electro-chemical etching process for easy permanent identification

IDEALLY TEMPERED

for easy contouring, exhibits properties of "hardness" for strength to avoid wall collapse when fitting, yet is malleable enough for "snap" fitting that requires little or no burnishing



ANATOMICALLY CONTOURED

for fast placement and secure fit, completely proportioned in all planes and for each band size

INCREASED BUCCAL HEIGHT

for fast placement and secure fit, completely proportioned in all planes and for each band size

MICRO-ETCHED INTERIOR SURFACE

ensures maximum retention


*Available in 36 upper and lower sizes in closely spaced increments –
Titan bands sized in half-size increments and Saturn in full increments*

■ Choose from four kit assortments

- Trial Kit – containing 80 bands
- Intro Kit - containing 150 bands
- Pro Kit - containing 300 bands
- Master Kit - containing 600 bands



G&H attachments are precision pre-welded to our bands at no additional cost.

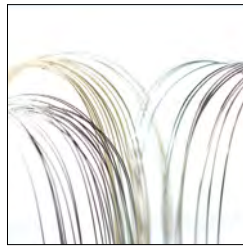
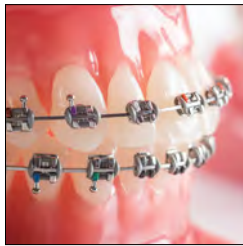


G&H Aesthetic Line -
Nearly invisible.
Definitely quality.

Clear and pearl elastomerics pictured.
Want color? G&H also offers a rainbow of 33 colors!

G&H Systems

Precision engineered and manufactured by G&H in the U.S.A.



Brackets

(MIM) Surgical stainless steel and (CIM) polycrystalline ceramic brackets - in all popular prescriptions

Bands

Complete line of contoured molar and bicuspids bands, micro-etched interior for superior bond strength

Tubes

(MIM) Surgical stainless steel, bondable and weldable base options - available in convertible and non-convertible

Archwires

G&H is recognized as the world's best manufacturer of premium archwires with 99.9% practitioner satisfaction*

Elastomeric

Full line with consistent strength and force values - available in 33 colors

Bracket Torque and Angulation Values

miniPrevail® .018 & .022 with 0° Rotation

Roth Prescription

Maxillary

Tooth	Torque	Angle
Central	12°	5°
Central Hi-Torque	22°	5°
Lateral	8°	9°
Lateral Hi-Torque	14°	9°
Cuspid (w/o hk)	0°	11°
Cuspid (w/hk)	0°	11°
Bicuspid	-7°	0°
Bicuspid (hk)	-7°	0°

Mandibular

Tooth	Torque	Angle
Anterior	0°	0°
Cuspid (w/o hk)	-11°	5°
Cuspid (w/hk)	-11°	5°
1 st Bicuspid	-17°	0°
1 st Bicuspid (w/hk)	-17°	0°
2 nd Bicuspid	-22°	0°
2 nd Bicuspid (w/hk)	-22°	0°

MBT Prescription

Maxillary

Tooth	Torque	Angle
Central	17°	4°
Lateral	10°	8°
Cuspid (w/o hk)	-7° or 0°	8°
Cuspid (w/hk)	-7° or 0°	8°
Bicuspid	-7°	0°
Bicuspid (hk)	-7°	0°

Mandibular

Tooth	Torque	Angle
Anterior	-6°	0°
Cuspid (w/o hk)	-6° or 0°	3°
Cuspid (w/hk)	-6° or 0°	3°
1 st Bicuspid	-12°	0°
1 st Bicuspid (w/hk)	-12°	0°
2 nd Bicuspid	-17°	0°
2 nd Bicuspid (w/hk)	-17°	0°

Vapor™ .018 & .022 with 0° Rotation

Roth Prescription

Maxillary

Tooth	Torque	Angle
Central	12°	5°
Lateral	8°	9°
Cuspid (w/hk)	0°	-11°
1 st & 2 nd Bicuspid	-7°	0°
1 st & 2 nd Bicuspid (hk)	-7°	0°

Mandibular

Tooth	Torque	Angle
Anterior	0°	0°
Cuspid (w/hk)	-11°	5°
1 st Bicuspid	-17°	0°
1 st Bicuspid (w/hk)	-17°	0°
2 nd Bicuspid	-22°	0°
2 nd Bicuspid (w/hk)	-22°	0°

MBT Prescription

Maxillary

Tooth	Torque	Angle
Central	17°	4°
Lateral	10°	8°
Cuspid (w/hk)	-7° or 0°	8°
1 st & 2 nd Bicuspid	-7°	0°
1 st & 2 nd Bicuspid (hk)	-7°	0°

Mandibular

Tooth	Torque	Angle
Anterior	-6°	0°
Cuspid (w/hk)	-6° or 0°	3°
1 st Bicuspid	-12°	0°
1 st Bicuspid (w/hk)	-12°	0°
2 nd Bicuspid	-17°	0°
2 nd Bicuspid (w/hk)	-17°	0°

*Based on orders shipped free of complaints/concerns



ORTHODONTICS®

Quality Manufacturing. Exceptional Service.



Contact G&H for trial offers,
samples and to schedule a
FREE Bracket Consultation

Call: **800-689-5719**
or at: www.GHOrthodontics.com

GHOrthodontics.com

2165 Earlywood Drive, Franklin, IN 46131 USA
800-689-5719 U.S. & Canada +1 317-346-6655 International
Email us at orders@GHOrtho.com